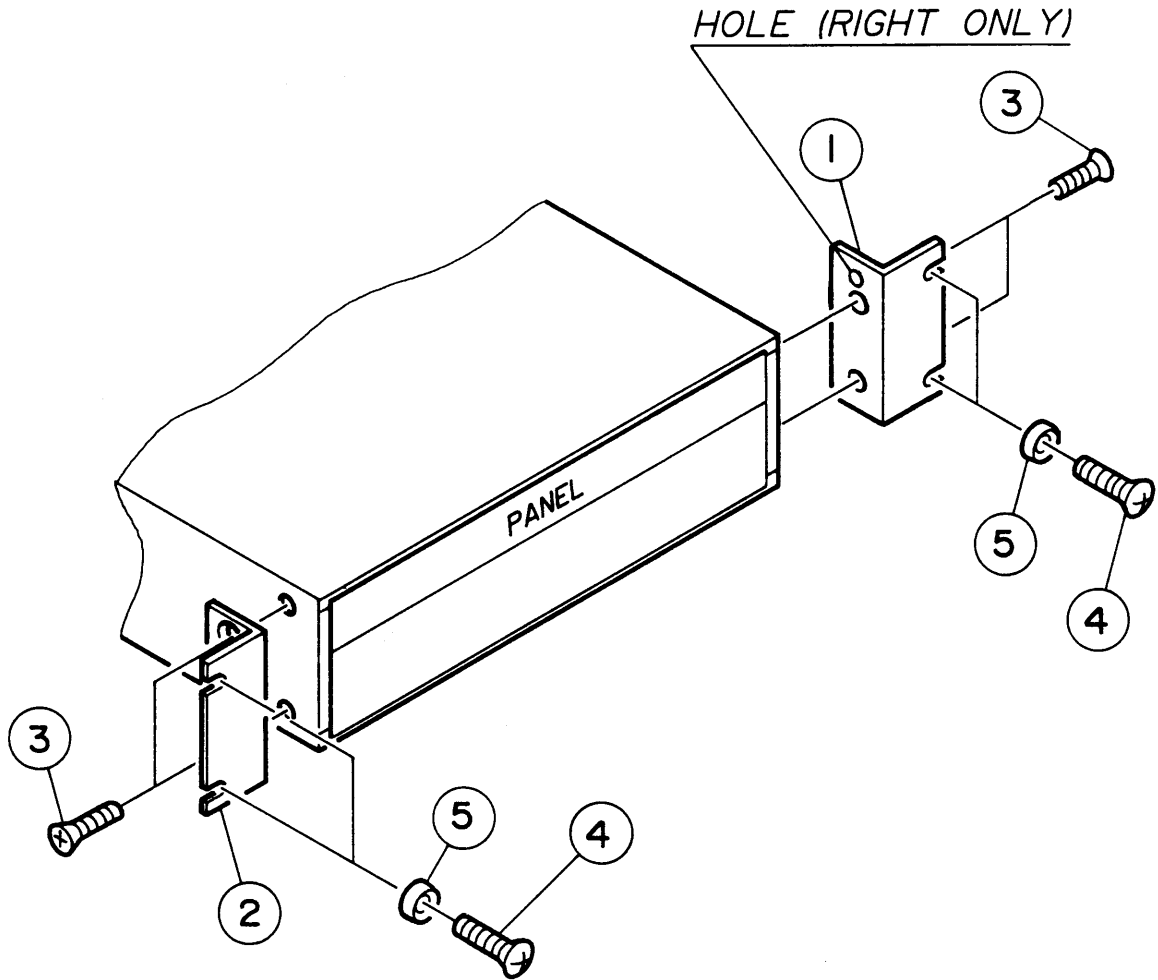


BRACKET BH3AM



NO.	DESCRIPTION	QTY	CODE NO.
1	BRACKET BH3AM RIGHT	1	D3-988-101
2	BRACKET BH3AM LEFT	1	D3-988-102
3	SCREW,FLAT HEAD M4x0.7x16 S-ZN	4	M2-001-171
4	SCREW,OVAL HEAD M5x0.8x14 B-NI	4	M2-002-091
5	FINISHING WASHER 5CW	4	M5-003-031